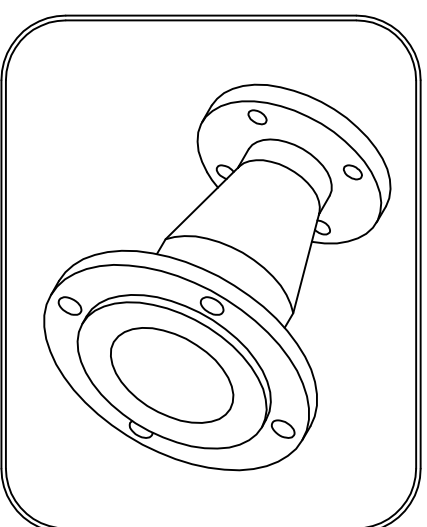


Nominal Pipe size		D1	D2	A	t	t
INCH	MM					
1-1/2"x1"	40 X25	73	51	114	3.0	3.0
2"x1"	50 X25	92	51	127	3.0	3.0
2"x1-1/2"	50 X40	92	73	127	3.0	3.0
2"-1/2"x1"	65 X25	105	51	140	3.0	3.0
2"-1/2"x1-1/2"	65 X40	105	73	140	3.0	3.0
2"-1/2"x2"	65 X50	105	92	140	3.0	3.0
3"x1"	80 X25	127	51	152	3.0	3.0
3"x1-1/2"	80 X40	127	73	152	3.0	3.0
3"x2"	80 X50	127	92	152	3.0	3.0
3"x2-1/2"	80 X65	127	105	152	3.0	3.0
4"x1-1/2"	100 X40	155	73	178	3.0	3.0
4"x2"	100 X50	155	92	178	3.0	3.0
4"x3"	100 X80	155	127	178	3.0	3.0
6"x2"	150 X50	212	92	229	4.0	3.0
6"x3"	150 X80	212	127	229	4.0	3.0
6"x4"	150 X100	212	155	229	4.0	3.0
8"x4"	200 X100	270	155	279	4.0	3.0
8"x6"	200 X150	270	212	279	4.0	4.0
10"x4"	250 X100	323	155	305	5.0	3.0
10"x6"	250 X150	323	212	305	5.0	4.0
10"x8"	250 X200	323	270	305	5.0	4.0
12"x6"	300 X150	381	212	356	5.0	4.0
12"x8"	300 X200	381	270	356	5.0	4.0
12"x10"	300 X250	381	323	356	5.0	5.0



**NOTE:-**

- Steel Frame :ASTM A234 grade WBP in compliance with ANSI B16.28
  - Steel Bend :according to SCH 40.
  - Flange ASTM A 105 in compliance with ANSI B16.5/ Class 150lbs;jis 10 K or DIN is also available on request .
  - Standard:two fixed flanges:two loose flanges or one loose and one fixed flanges are on request.
  - Lining: Pure PTFE in compliance with ASTM F-1545, under 4" Lined con .Reducer is on request.
- Other nominal sizes are available on request.